

CHAPTER 6

GUARD MOUNTING

Section I. GENERAL

31. Requirements

Uniform, arms, and equipment for guard mounts are prescribed by the commanding officer. If armed, guards must have completed range firing (qualification or familiarization) or training (app D) with the weapon they use on guard duty.

32. Forming the Guard Detail

The first sergeants of the companies furnishing guard details form the guard detail in the company area. Each first sergeant verifies the detail to include verification that weapons qualification or familiarization requirements have been met, inspects it, replaces men who do not present a good appearance or have not qualified with their weapon, and order the senior member to march the detail to the assembly area.

Section II. GUARD MOUNT (INSPECTION ONLY)

33. General

Guard mount may consist of an inspection only. This inspection is normally conducted in the vicinity of the guardhouse. The officers and noncommis-

sioned officers of the guard are detailed for a specific duty by roster.

34. Assembly of the Guard

The senior member of the guard detail reports the detail to the sergeant of the guard when it arrives at the assembly area. The sergeant of the guard organizes the guard into three reliefs and appoints a relief commander for each relief. The commanders of the relief organize their reliefs into specific, numbered posts. Supernumeraries form to the left of the designated relief. Where feasible, the guard is organized in a manner that maintains unit integrity; e.g., if one unit furnished the guard, members of the relief are from the same subelement; if more than one unit furnished the guard, reliefs are organized by unit (1st relief, Co A; 2d relief, Co B)

35. Formation of the Guard

a. The sergeant of the guard forms the guard by commanding FALL IN. The commander of the first relief falls in so that when his relief is formed at normal interval to his left, it will be three steps in front of and centered on the sergeant of the guard. The second and third reliefs form behind the first relief, each man covering the corresponding numbered man in the first relief. Supernumeraries form to the left of the designated relief at normal interval. The sergeant of the guard commands INSPECTION, ARMS, READY, PORT, ARMS, ORDER, ARMS. He then faces about.

Note. If the commander of the guard is not to position the sergeant of the guard may face about and give the guards

AT, EASE. Upon seeing the commander of the guard moving into position the sergeant of the guard will command the guards to attention and face about. The sergeant of the guard will remain at sling arms throughout the entire guard mount.

b. The commander of the guard takes his post six steps in front of and centered on the guard. The sergeant of the guard renders the appropriate salute and reports, "Sir, all present," or "Sir, (so many) men absent." After the commander of the guard returns the salute, the sergeant of the guard faces to the right in marching, marches around the right flank of the platoon and halts one step to the rear, centered on the guard, and executes a right face (fig 2).

c. The officer of the day takes his post 18 steps in front of and centered on the guard. The commander of the guard faces about, salutes and reports, "Sir, all present" or, "Sir, (so many) men absent." The officer of the day returns the salute and directs PREPARE FOR INSPECTION.

36. Preparing the Guard for Inspection

a. On the directive PREPARE FOR INSPECTION the commander of the guard faces about without saluting, commands OPEN RANKS, MARCH. The guards open ranks march as outlined in FM 22-5. After the guards have opened ranks the commander of the guard commands DRESS RIGHT, DRESS, alines the formation, returns to his original position facing the guards and commands READY, FRONT. He then faces about, salutes, and says, "Sir, the guard is prepared for inspection." The officer of the day then inspects the guards.

During the inspection the officer of the day order guards who are not satisfactory for guard to fall out to the rear of the formation and await further instructions from the sergeant of the guard. When a man is relieved the officer of the day commands **SUPERNUMERARY**. The supernumerary will move from his position to the post vacated. He takes his post by taking one step backward, faces to the right, and moves in the rear of the relief so that he will approach the vacated position from the rear. He halts, executes a left face, moves into position, halts and immediately comes to inspection arms. The officer of the day inspects the supernumerary then proceeds with the inspection. After inspecting the guard the officer of the day and the commander of the guard return to their original positions. The officer of the day halts 18 steps front of and centered on the guard. The command of the guard stops six steps in front of and centered on the guard and executes a right face.

b. If an orderly is to be selected, the officer of the day will announce his selection. He then commands **TAKE CHARGE OF THE GUARD**. Salutes are exchanged and the officer of the day departs.

Note. During the inspection the officer of the day may direct that the reliefs not being inspected be given at ease. In this case, the commander of the guard, upon completion of the inspection, will call the guards to attention while moving around the right flank of the formation.

The commander of the guard faces about and commands **CLOSE RANKS, MARCH**. The guard closes ranks the same as in platoon drill (FM 22-5). The commander of the guard commands **FALL OUT**. The guards move into the guardhouse. The com-

mander of the first relief prepares his relief to be posted. The orderly, if one was selected, reports to the commander of the guard for instructions.

c. If no officer is detailed as officer of the day, the commander of the guard assumes the duties of the officer of the day. If no officer of the day or commander of the guard is detailed, the sergeant of the guard prepares the guard for inspection and inspects it.

Note. The sergeant of the guard will assume the position of the commander of the guard.

Section III. INFORMAL GUARD MOUNTING

37. General

Informal guard mounting is held on the parade ground of the organization from which the guard is detailed. When the guard is detailed from more than one organization, it is held wherever the commanding officer directs. When a noncommissioned officer commands the guard at guard mount, he takes the post of and performs the duties prescribed for an officer.

38. Assembly of the Guard

The guard is assembled as prescribed in paragraph 34.

39. Formation of the Guard

a. The guard is formed as prescribed in paragraph 35.

b. If an officer has been detailed as commander of the guard, the sergeant of the guard faces about, renders the appropriate salute and reports, "Sir, all

present,” or, “Sir, (so many) men absent.” After the commander of the guard returns the salute the sergeant of the guard faces to the right in marching, marches around the right flank of the platoon, and halts one step to the rear, centered on the guard, and executes a right face.

Note. The sergeant of the guard will keep his weapon at sling arms throughout the entire guard mount.

c. If an officer has not been detailed as commander of the guard, the sergeant of the guard takes three steps forward and assumes the position of the commander of the guard (fig 2).

40. Reporting to the Officer of the Day

When the officer of the day arrives, the commander of the guard salutes and reports, “Sir, all present,” or, “Sir, (so many) men absent.”

41. Marching to Center

The officer of the day commands OFFICER AND NON-COMMISSIONED OFFICERS CENTER, **MARCH**. At the command of **MARCH**, the commander of the guard marches forward and halts three steps in front of the officer of the day (fig 3). On the command of **MARCH**, the commanders of the reliefs march forward and execute column left without command when on a line three steps to the rear of the commander of the guard. The third relief commander commands NONCOMMISSIONED OFFICERS, **HALT**, when they are centered on the commander of the guard. On the command of **MARCH**, the sergeant of the guard will move from his position around the right flank of the formation by the most direct route

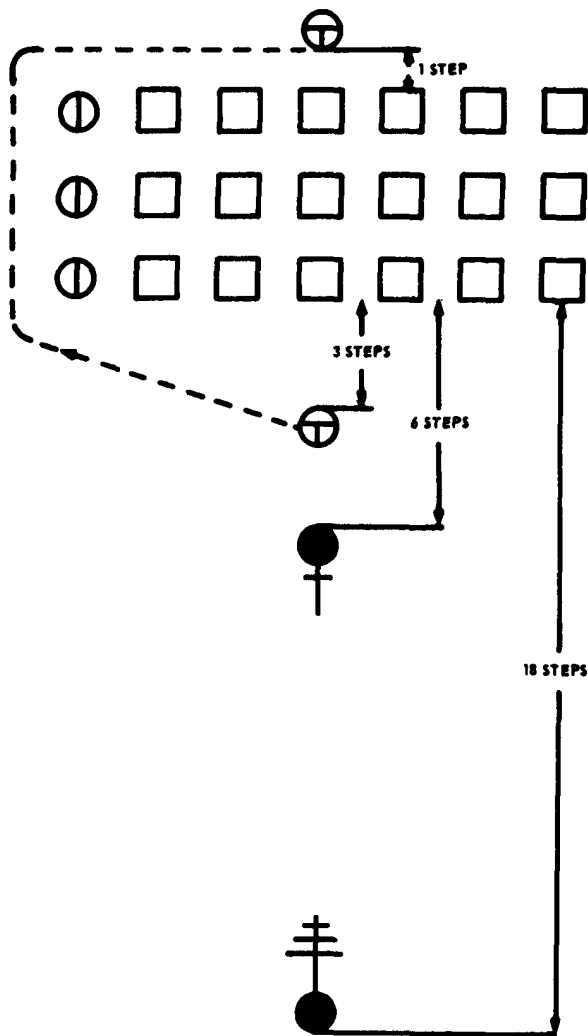


Figure 2. Formation for informal guard mount.

a position three steps behind the second relief commander (fig 3). Upon seeing the sergeant of the guard in position, the third relief commander commands **RIGHT, FACE** (fig 3).

Note. The commanders of the reliefs move at the order arms position. After the commander of the guard and the noncommissioned officers are in position the officer of the day marches forward, halts at normal distance in front of the commander of the guard, and designates "Commander of the Guard." He then faces to the half left and moves by the most direct route into position in front of the right flank commander of the relief and designates "Commander, Third Relief." He then faces to the right in marching, takes two steps, halts, executes a left face and designates "Commander, Second Relief." He then faces to the right in marching, takes two steps, halts, executes a left face and designates "Commander, First Relief." He then faces to the right in marching and moves by the most direct route behind the commanders of the relief, halts in front of the sergeant of the guard, executes a right face and designates "Sergeant of the Guard." He then faces to the left in marching and moves by the most direct route around the right flank of the commanders of the reliefs to his original position, halts, executes a left face (fig 4).

42. Return to Posts

The officer of the day commands **POST**. On this command, the commander of the guard and the sergeant of the guard face about and immediately step off, returning by the most direct route to their original positions. The commander of the guard is six steps in front and centered, facing the guards. The sergeant of the guard one step behind, centered on the guards. At the same time the commanders of the relief execute a right face and immediately step off returning to their original positions by the same route used to come center. They will execute the

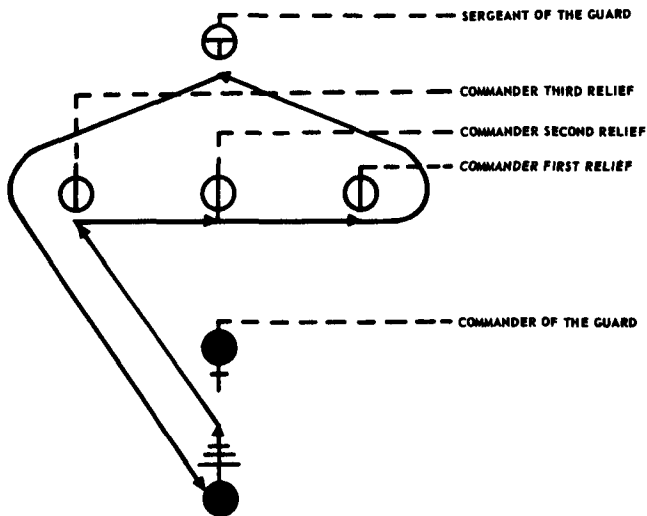


Figure 4. Designation of personnel.

column movement without command and halt when they arrive at their positions without command. Upon arriving at his original position and seeing the sergeant of the guard back in position, the first relief commander will command, ABOUT, FACE. The relief commanders will execute about face. At the same time the sergeant of the guard will execute right face (fig 5). Upon seeing all NCO back in position the commander of the guard will execute about face.

43. Inspecting the Guard

a. The officer of the day directs PREPARE FOR INSPECTION. The commander of the guard, without saluting, faces about and commands OPEN RANKS

MARCH. Ranks are opened and alined as describe in platoon drill, FM 22-5.

Note. The commander of the guard precedes the officer of the day on the inspection.

b. The officer of the day orders guards who are not presentable for guard to fall out to the rear of the formation and await further instructions. Supernumeraries (if any) replace the men who have fallen out. (The officer of the day reports discrepancies in personnel to the commanding officer, or his representative, when reporting for duty.)

c. After inspecting the guard, the officer of the day and the commander of the guard resume their original positions. The officer of the day commands **MARCH THE GUARD TO THE GUARDHOUSE.** Salutes are exchanged. The commander of the guard faces about and commands **CLOSE RANK MARCH.** He commands **RIGHT, FACE,** then positions himself one step in front of the second relief commander. On the command of right face, the sergeant of the guard faces to the left in marching and moves by the most direct route to his position one step to the rear of the last man in the second relief.

Section IV. RELIEVING THE OLD GUARD

44. Arrival of the New Guard at the Guardhouse

Before the new guard arrives at the guardhouse, the old guard forms in a line formation with two or more reliefs. The commander of the old guard positions himself six steps in front of and centered on the guard. The new guard marches past (12 step

in front of) the old guard. When the new guard is six steps from the left flank of the old guard, the commander of the new guard commands EYES, RIGHT. The commander of the old guard faces about and commands PRESENT, ARMS. He faces back to the front and renders the proper salute. When the new guard has cleared the right flank of the old guard, the commander of the new guard commands READY, FRONT. The commander of the old guard faces about, commands ORDER, ARMS, and faces back to the front.

45. Formation of the Old and New Guards at the Guardhouse

a. After the new guard executes ready front, the commander of the new guard commands, RIGHT FLANK, MARCH. At the command MARCH, he steps out of the formation and positions himself six steps in the rear of and centered on his guard. He halts the new guard when it is on line with and six steps to the right of the old guard. Then he commands ORDER, ARMS; ABOUT, FACE; LEFT FLANK MAN FIRST RELIEF VERIFY SIX STEP INTERVALS ; DRESS LEFT, DRESS (fig 6).

b. At the command DRESS, each man turns his head and eyes to the left (except the left flank men who look to the front) raises his left arm laterally, shoulder high, fingers extended and joined, and touches the man's shoulder to his immediate left. The left flank man of the first relief is the base for this movement. The first relief obtains the exact interval. Other reliefs obtain approximate interval and cover the same numbered man to their front.

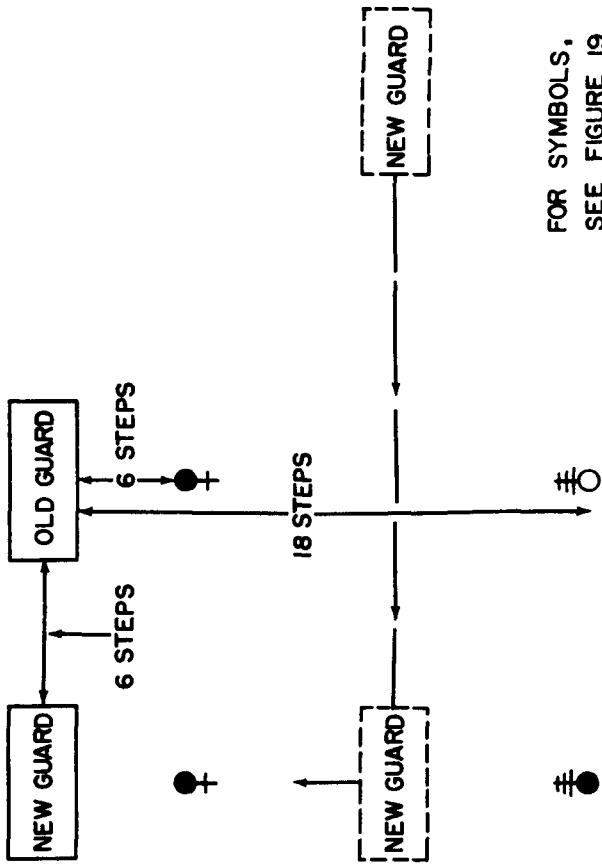


Figure 6. Formations of the guard at the guardhouse.

c. At the command **DRESS**, the commander of the old guard marches by the most direct route to the right flank of the guard, halts facing the rear on line and one step to the right of the first relief commander. He faces to the right and alines the guard as described in platoon drill (FM 22-5).

d. After alining the last relief, the commander of the guard faces to the right in marching and moves to his original position, six steps in front of, centered on, and facing the guards. He commands **READY, FRONT**. At the command **FRONT**, each man lowers his arm to his side and turns his head and eyes back to the front. The commander of the guard then faces about.

46. Presenting New and Old Guards

After the new guard is in position, the commanders of both guards face about and command **PRESENT, ARMS**. Then they face each other and exchange salutes, face toward their respective guards, command **ORDER, ARMS**, and face back to the front.

47. Presenting the Guards to the Officer of the Day

a. After the new guard has been presented to the old guard, the new and old officers of the day take their posts 18 steps in front of and centered on their respective guards. Commanders of both guards face about, command **PRESENT, ARMS**, face back to the front, and salute their respective officer of the day.

b. After salutes have been exchanged, both commanders face about, command **ORDER, ARMS**, and face back to the front. When both have faced back to the front, the officers of the day face each other.

The new officer of the day salutes the old officer of the day. After salutes have been exchanged, both officers of the day face their respective guards.

48. Disposition of the New and Old Guards

a. After both officers of the day have faced their guards, the new officer of the day commands **POST THE FIRST RELIEF**. The new commander salutes the new officer of the day, faces about and commands **FALL OUT**. The guard reports to the guardhouse and the commander of the first relief reports to the command of the guard for instructions on posting his relief.

b. The old officer of the day commands **DISMISS THE GUARD**. The old commander salutes the old officer of the day, faces about, and commands **REST**. He then contacts the new commander and conveys any instructions and orders.

(1) If the old guard was furnished from one company, the commander of the old guard directs a noncommissioned officer of the guard to march the guard to the company area and dismiss it. The noncommissioned officer dismisses the guard by commanding **INSPECTION, ARMS; READY, PORT, ARMS; DISMISSED**.

(2) If the guard was furnished from more than one company, the old commander instructs the senior member of each company to march the guard detail to the company area and dismiss it. The guard is dismissed as described in (1) above.

(3) After the third relief of the old guard has been relieved, the commander of the relief reports to the commander of the new guard. The com-

mander of the new guard inspects the relief and orders the relief commander to march the relief to the company area and dismiss it. Salutes are exchanged. The relief is dismissed in accordance with (1) above.

Section V. POSTING RELIEFS

49. General

a. Before a relief goes to post, the commander of the relief assembles the guards and checks their appearances, fitness for duty, and the condition of their arms, if carried. He issues ammunition, supervises loading the weapons if required, and makes sure that the guards understand their instructions. When the relief is large, it may be more convenient to form the relief, call the roll, and inspect the guards in ranks.

b. The relief commander writes down the names of the guards, the numbers of their posts, the time he directed them to their post, and the time they report back to the guardhouse after being relieved. The commander of the guard keeps this record on file.

50. Posting Guards

a. The commander of the relief forms it by commanding FALL IN. The relief forms in two ranks, three steps in front of and centered on the relief commander. Guards assigned to even numbered posts (2, 4, 6, 8) form in the front rank. Guards assigned to odd numbered posts (1, 3, 5, 7) form in the rear rank. The commander of the old relief

⊙ ← COMMANDER OLD RELIEF

1 3 5 7

2 4 6 8

3 STEPS

⊙ ← COMMANDER NEW RELIEF

FOR SYMBOLS, SEE FIGURE 19

Figure 7. Forming the relief.

falls in at normal distance behind the guard for post No. 1 (fig 7).

(1) The commander of the new relief commands *INSPECTION, ARMS* (if arms are to be loaded, he gives the necessary commands at this time and makes certain that safety procedures are carefully observed); *READY, PORT, ARMS; ORDER, ARMS*.

(2) He commands *CALL, OFF*. The guards call off the number of their assigned posts, rear to front and from right to left.

(3) He salutes and reports to the commander of the guard, "Sir, the (first) relief is present and

ready to be posted,” or, “Sir (so many) men absent.” If the commander of the guard is a noncommissioned officer, the commander of the new relief salutes and reports, “Sergeant, the (first) relief is present and ready to be posted” or, “Sergeant, (so many) men absent.”

(4) After the commander of the guard (sergeant, of the guard) commands POST YOUR RELIEF, salutes are again exchanged. The commander of the new relief commands RIGHT, FACE; RIGHT SHOULDER, ARMS (if appropriate); and FORWARD, MARCH. He marches to the left of the last man, left file, at normal interval while the commander

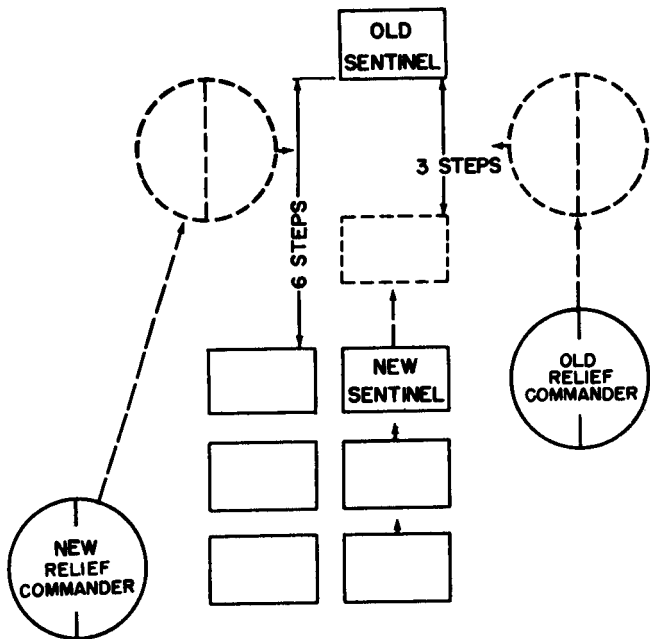


Figure 8. Posting and relieving guards.

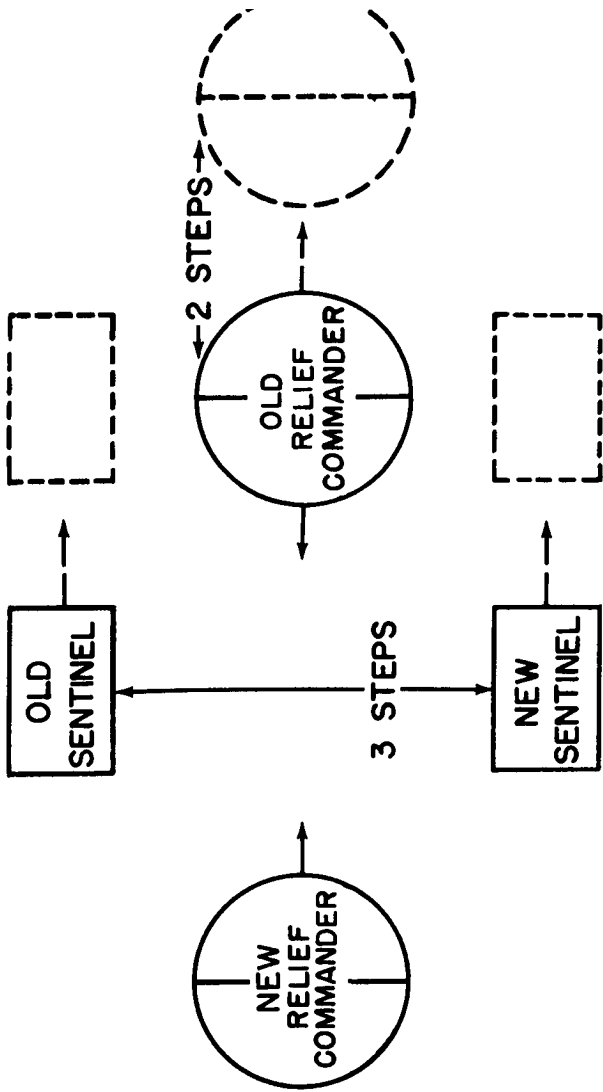


Figure Continued.

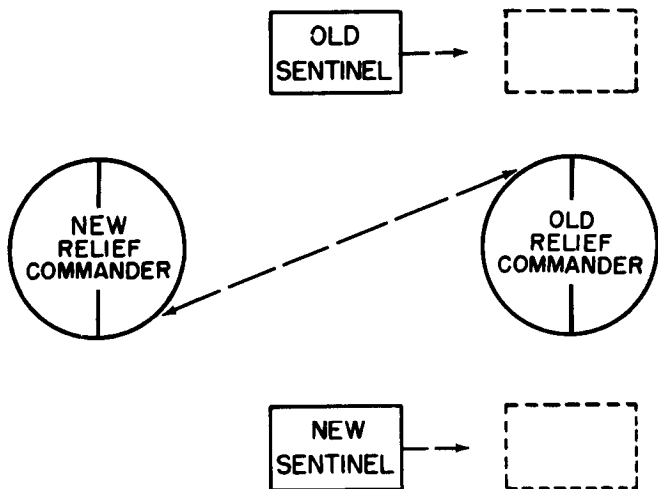


Figure 8—Continued.

of the old relief marches on the right of the first man, right file, at normal interval (1, fig 8).

b. During daylight hours, the commander of the new relief halts his relief six steps from the old guard and commands NUMBER ONE (TWO, or THREE). The *new* guard (called) marches forward and halts three steps in front of the old guard. If armed with the rifle, carbine, or shotgun he executes port arms. Both relief commanders advance and half so that they are three steps apart and centered between the two guards. Then they execute a left (right) face and face each other (2, fig 8). When the guard (called) marches forward, the other guards behind him in the formation move forward to fill his position.

(1) The commander of the new relief commands **TANSMIT YOUR ORDERS**, and the old guard transmits any changes in orders occurring during his tour or states, "Post and orders remain the same." The new relief commander then asks the new guard, "Do you understand your orders?" If the new guard understands his orders he replies, "Yes, I do." If not, he new relief commander clarifies the order or has the old guard explain.

(2) The commander of the new relief commands **GUARDS, POST**. At the command **POST**, both guards resume right shoulder arms, or sling arms if appropriate, face the new command, and march backward until they are on line with the commander of the old relief.

c. The commander of the new relief commands to his relief **FORWARD, MARCH**. The commander of the old relief takes two steps backward to clear the old guards (2, fig 8). The relief marches between the relief commanders and the relief commanders take their original positions as it passes them.

(1) The old guard takes his place at the rear of the relief as it passes him.

(2) The new guard stands fast until the relief has passed six steps beyond him and then he walks his post, or takes his prescribed position.

d. The commander of the old relief takes command when his last squad has been relieved.

(1) The commander of the new relief has the guard transmit his orders then commands **RELIEF COMMANDERS, POST**. Both commanders exchange positions by passing each other right shoulder to

right shoulder, halting, and facing about. Both guards stand fast (3, fig 8).

(2) After the relief commanders face about, the commander of the old relief commands *GUARDS, POST*. At the command *POST*, both guards resume right shoulder arms, or sling arms if appropriate, face the commander of the old relief, and march backward until they are on line with the commander of the new relief.

(a) The commander of the old relief commands (to his relief), *FORWARD, MARCH*.

(b) The commander of the new relief takes two steps backward to clear the old guard. The relief advances, the relief commanders take their new positions, and the old guard takes his place at the rear of the relief as it passes him.

e. When the old relief returns to the guardhouse, the commander of the old relief commands *RELIEF, HALT*, and the commander of the new relief falls out and takes his post in the guardhouse.

(1) The commander of the old relief commands *INSPECTION, ARMS* (if weapons are loaded, they are unloaded at this time and safety procedures are carefully observed); *READY, PORT, ARMS; DISMISSED*. He reports to the commander of the guard that his relief has been relieved and is present in the guardhouse.

(2) If the old relief was the third relief of the old guard, the relief commander dismisses his relief in accordance with paragraph 48 *b* (3).

f. During the hours of challenging, the commander of the new relief halts the relief when the guard challenges, "HALT!" "WHO IS THERE?"

The commander answers, "Relief." The guard commands, "ADVANCE OLD RELIEF COMMANDER TO BE RECOGNIZED." The old relief commander advances until the guard commands HALT! After he recognizes the relief commander, he commands ADVANCE RELIEF. The new relief commander marches the relief forward and halts it six steps from the old guard. The procedure for relieving the old guard is the same as in *b* above, except that when a new guard is armed with a pistol he comes to raise pistol after halting and when posted returns his pistol.

g. If transportation is utilized to post the relief, the guards are posted and relieved using the procedure described in *b* or *f*, above. The old and new relief commanders and the guard to be posted are the only members of the relief who dismount.

51. Posting Other Reliefs

a. To post a relief when there is no guard on the post, the commander forms his relief as prescribed in paragraphs 50 *a* (1), (2), and (3).

(1) He halts the relief six steps from the limits of the post concerned and commands NUMBER ONE (TWO OR THREE). The guard called takes three steps forward, halts, executes port arms if armed with the rifle or carbine, and faces to the left. The commander advances three steps in front of the relief, halts, and faces to the right, facing the guard. The guard, if armed with a pistol, executes raise pistol after facing to the left.

(2) The relief commander asks, "Do you understand your orders?" If he understands the order

the guard replies, "Yes, I do." If not, the commander explains as necessary.

(3) The relief commander commands POST. The guard executes right shoulder, sling arms, or return pistol, as appropriate, marches backward far enough to clear the relief, and walks his post when the relief is six steps beyond him.

(4) The commander commands to the relief FORWARD, MARCH, and resumes his original position as the relief passes him.

b. The officer of the day can authorize the reliefs to be divided into small groups, placing each group under a noncommissioned officer for posting, have guards posted individually, or, use a combination of these two methods.

(1) If guards are posted individually, the relief commander orders, "Guard, take your post."

(2) If guards are posted as a group, the relief commander orders, "Take your posts." Each guard then proceeds directly to his post. Guards relieve each other at a specified point and transmit changes in orders.

(3) A guard relieved individually proceeds directly to the guardhouse and reports to the commander of the old relief. The last guard on a post from which he will not be relieved by another guard proceeds directly to the guardhouse at a designated time.

c. The relief may be posted by only the new relief commander. The procedure is as described above except the old relief commander is not present. The new relief commander marches the old relief back

to the guardhouse and dismisses them (para 48 (3)).

Section VI. FORMAL GUARD MOUNTING

52. General

a. Uniforms, arms, and equipment for formal guard mounts are prescribed by the commanding officer.

b. Formal guard mounting requires a band and is held on the parade ground of the organization from which the guard is detailed.

53. Assembly of Band

The band takes its place on the parade ground at a point where its left flank is 12 steps to the right flank of where the guard will be (fig 9). The adjutant makes certain the guard is ready to be marched onto the parade ground (the guard has been faced to the right) and then signals the band to sound *Adjutant's Call*.

54. Assembly and Forming the Guard

a. The guard details are formed as prescribed in paragraph 32. When the band sounds assembly, each guard detail is marched to the point of assembly, off the parade ground, and reported to the sergeant of the guard.

b. The guard details are assembled and formed into a platoon as prescribed in paragraph 35. If there are more than 14 men per rank, the guard is divided into two platoons.

c. The assistant sergeant of the guard takes his post three steps in front of and centered on the

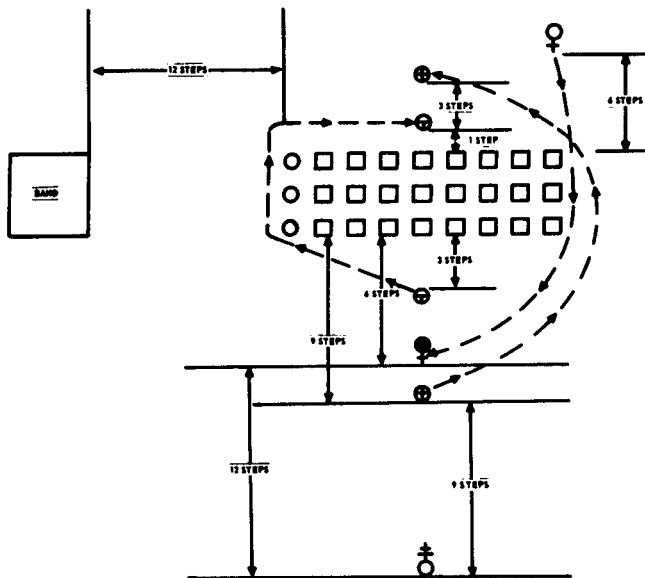


Figure 9. Formation of one platoon and posts of key personnel.

second platoon. Any remaining noncommissioned officers form on the left flank to equalize the number of men in each rank. After the platoons are formed, the sergeant of the guard faces the guard to the right and awaits the band to sound *Adjutant's Call* (figs 9 and 10).

55. Marching the Guard to the Parade Ground

a. Immediately following *Adjutant's Call*, the band plays march music. The adjutant, with the sergeant major on his left, marches forward on the first note of march music. The adjutant halts at his

post 18 steps in front of and facing the center of where the guard will be. The sergeant major continues forward and halts so as to take his post nine steps in front of and facing the center of where the guard will be.

b. The sergeant of the guard takes his post three steps to the left of the left file and centered on the guard. If two platoons are present he centers himself on the first platoon with the assistant sergeant of the guard centered on the second platoon. Immediately following *Adjutant's Call*, he marches the guard in column onto the parade ground. He approaches the parade ground from a direction near the final line on which the guard will form. He halts the guard when the head of the column is 12 steps from the left flank of the band and centered on the sergeant major. If there are two platoons the assistant sergeant of the guard will halt the second platoon three steps to the rear of the first platoon. At this time, the band stops playing. The sergeant of the guard (assistant sergeant of the guard) faces to the right and commands (ORDER, ARMS, if appropriate), LEFT, FACE (figs 9 and 10).

56. To Aline the Guard

The sergeant of the guard and the assistant sergeant of the guard, if there are two platoons, aline the guard as prescribed in FM 22-5.

57. Sergeant of the Guard Report

a. The sergeant of the guard (assistant sergeant of the guard) moves to his position three steps in front, centered, and facing the guard and command

READY, FRONT. On the command FRONT, the commander of the guard takes a position six steps behind the left flankman of the third relief. If there are two platoons the assistant commander of the guard takes his post behind the second platoon in the same position as prescribed for the commander of the guard. The sergeant of the guard faces about and renders the report, "All present" or "(so many) men absent," to the sergeant major. Salutes are exchanged and the sergeant major commands POST. The sergeant of the guard faces to the right in marching and moves by the most direct route around the right flank to his position one step to the rear and centered on the guard (fig 9).

b. If there is an assistant sergeant of the guard present, he executes the movements as in *a* above. At the command POST, he moves to his position behind the second platoon (fig 10).

58. Sergeant Major's Report

a. After the command POST, when the sergeant of the guard (assistant sergeant of the guard) is in position, the sergeant major faces about and reports to the adjutant, "Sir, all present," or "Sir (so many) men absent." Salutes are exchanged. The sergeant major faces about, marches to his post, three steps to the rear of and centered on the sergeant of the guard, halts and faces to the left. If there are two platoons, he positions himself three steps to the rear and centered on the guard (fig 10).

b. After the sergeant major has completed his report and faced about, the commander of the guard marches from his position in the rear of the guard,

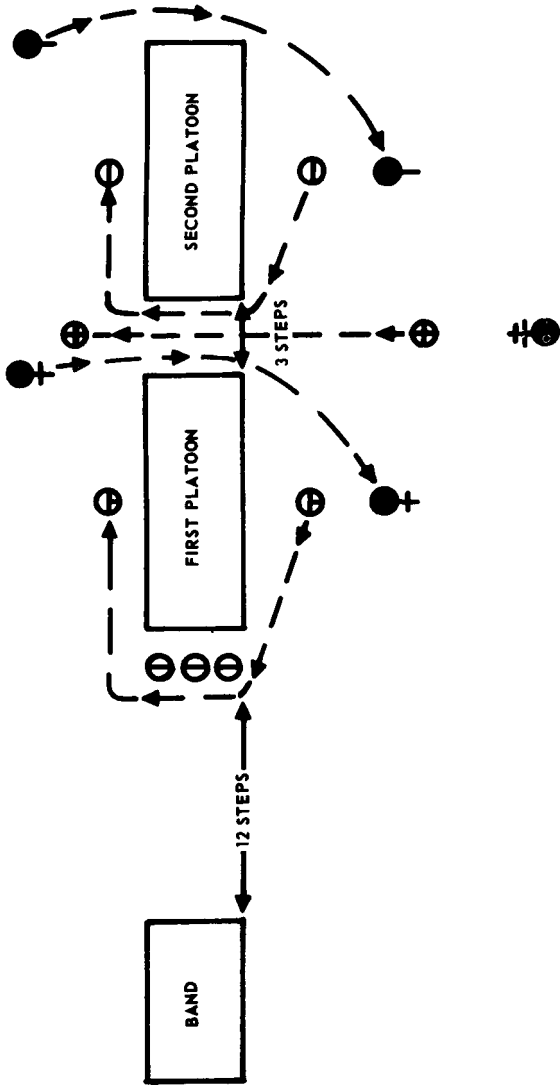


Figure 10. Formation of two platoons.

around the right flank, to his post six steps in front of and centered on the guard. If there are two platoons, the assistant commander of the guard, if present, takes his post in front of the second platoon (fig 10).

59. Marching to the Center

a. The adjutant commands OFFICER (or Officers) AND NONCOMMISSIONED OFFICERS CENTER, MARCH. The procedure for marching to the center is the same as in paragraph 41, except when there are two commanders of guard, the senior is designated “commander of the guard” and the junior “assistant commander of the guard.”

b. If there are two sergeants of the guard, the senior is designated “sergeant of the guard” and the junior, “assistant sergeant of the guard.” The post of the assistant sergeant of the guard is to the left of the sergeant of the guard at normal interval.

c. When two platoons are present, the commanders march to the center and form as shown in figure 11.

60. Returning to Posts

a. After designating the duties, the adjutant returns to his post and commands POST. When one platoon is present, posts are taken as described in paragraph 42 (fig 11).

b. When two platoons are present the assistant commander of the guard and assistant sergeant of the guard execute about face and move by the most direct route to their respective positions.

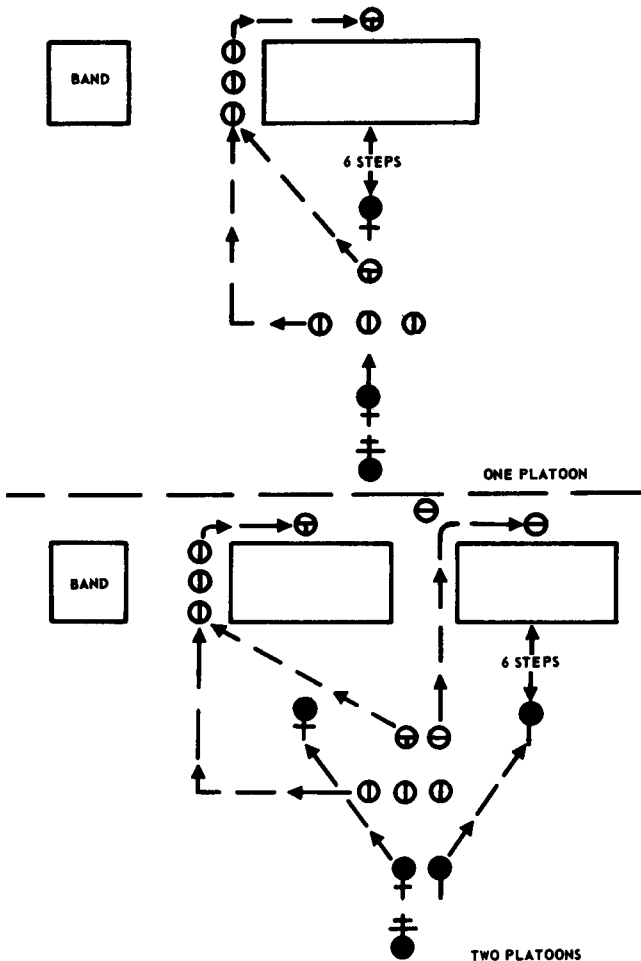


Figure 11. Officers and noncommissioned officers taking their posts.

1. Inspection of the Guard

a. During formal guard mount the adjutant, instead of the officer of the day, inspects the guard.

b. After the officer (or officers) and noncommissioned officers have taken their posts, the adjutant commands PREPARE FOR INSPECTION. The guard is prepared for inspection as described in FM 22-5.

c. During the inspection, he selects the orderly and color guards and orders men who are not prepared for guard to fall out and return to their organization. Substitutes for men who have fallen out report to the commander of the guard at the guardhouse.

d. The band plays during the inspection.

62. Closing Ranks

a. After the inspection, the commander of the guard orders the guard to close ranks and then he returns to his original post. If there is an assistant commander of the guard, he orders the second platoon to close ranks after it has been inspected. He then returns to his post in front of the second platoon (FM 22-5).

b. The adjutant takes his post 35 steps in front of, centered on, and facing the guard.

c. The new officer of the day posts himself 36 steps to the rear of the adjutant.

d. The old officer of the day posts himself three steps to the right of the new officer of the day.

63. Sound Off

a. The adjutant commands GUARD, ATTENTION; PARADE, REST; SOUND OFF, and then executes

parade rest. (The commander of the guard and the assistant commander of the guard do not give supplementary commands.)

b. At the command **SOUND OFF**, the band sounds off then moves forward playing. It passes to the left of the line between the commanders of the guard and the adjutant and then back to its position on the right where it halts and sounds off again (fig 12).

c. While the band troops the line, the officers of the day stand at attention.

64. The Adjutant's Report

The adjutant commands **PRESENT, ARMS**, faces about toward the new officer of the day, salutes and reports, "Sir, the guard is formed."

65. Marching in Review

a. The new officer of the day returns the salute and directs the adjutant, **MARCH THE GUARD IN REVIEW, SIR**. The adjutant faces about and commands **ORDER, ARMS; RIGHT, FACE**. At the command **FACE**, the guard and the band face to the right. The band marches to a position where its rear rank is approximately 24 steps in front of the leading platoon, halts, and faces to the left (FM 22-5). The commander of the guard assumes the position of platoon leader of a platoon in column. If present, the assistant commander of the guard assumes the same position in front of the second platoon. The adjutant takes a post three steps in front of the leader of the first platoon (commander of the guard). The sergeant of the guard takes a

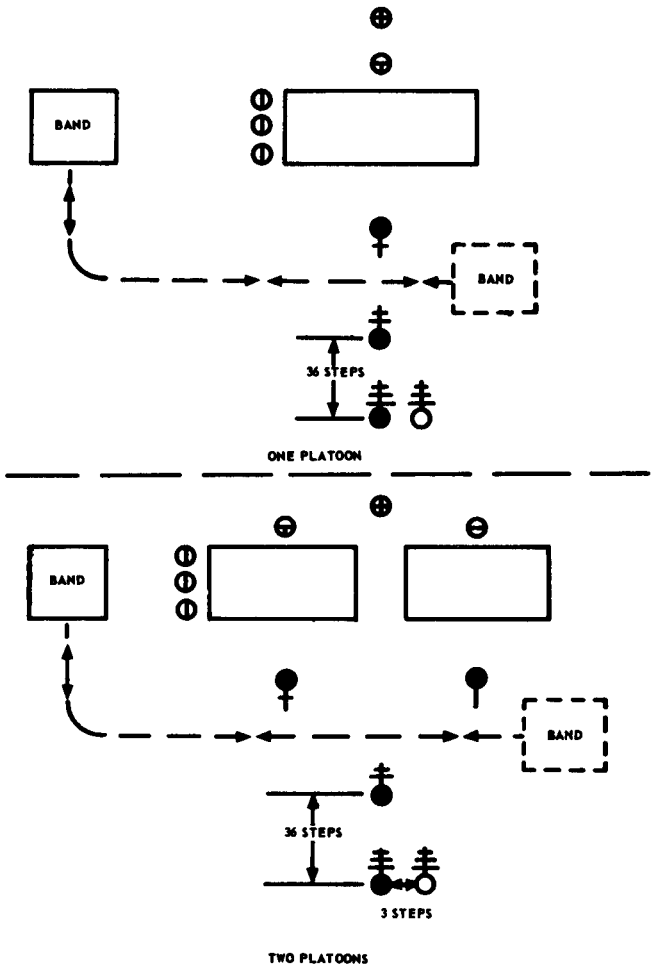


Figure 12. Sound off.

position one step behind, centered on the guard. If two platoons are present he assumes his position behind the first platoon. The assistant sergeant of the guard takes his position behind the second platoon. The sergeant major maintains his post until the last man of the last platoon clears his position and then falls in three paces behind and centered on the last platoon.

b. The adjutant commands **FORWARD, MARCH**, after giving the necessary manual of arms command.

c. The band begins playing on the command **MARCH**. The band and the guard march past the officer of the day (fig 13). The commander of the guard (first platoon leader) maintains a 24-step distance behind the band during the march in review.

d. When the adjutant is six steps from the office of the day, he commands, **EYES, RIGHT**.

(1) When there is one platoon, the officer of the guard, the adjutant, and the sergeant major execute the hand salute on the command **EYES, RIGHT**. When the sergeant major is six steps beyond the officer of the day, the adjutant commands, **READY, FRONT** (fig 13).

(2) When there are two platoons (fig 14), the adjutant commands **EYES, RIGHT**, for the first platoon. He commands **READY, FRONT**, for the first platoon when the last rank is six steps beyond the officer of the day. The assistant commander of the guard commands **EYES, RIGHT**, for the second platoon when he is six steps from the officer of the day, and **READY, FRONT**, when the sergeant major is six steps beyond the officer of the day. The adjutant

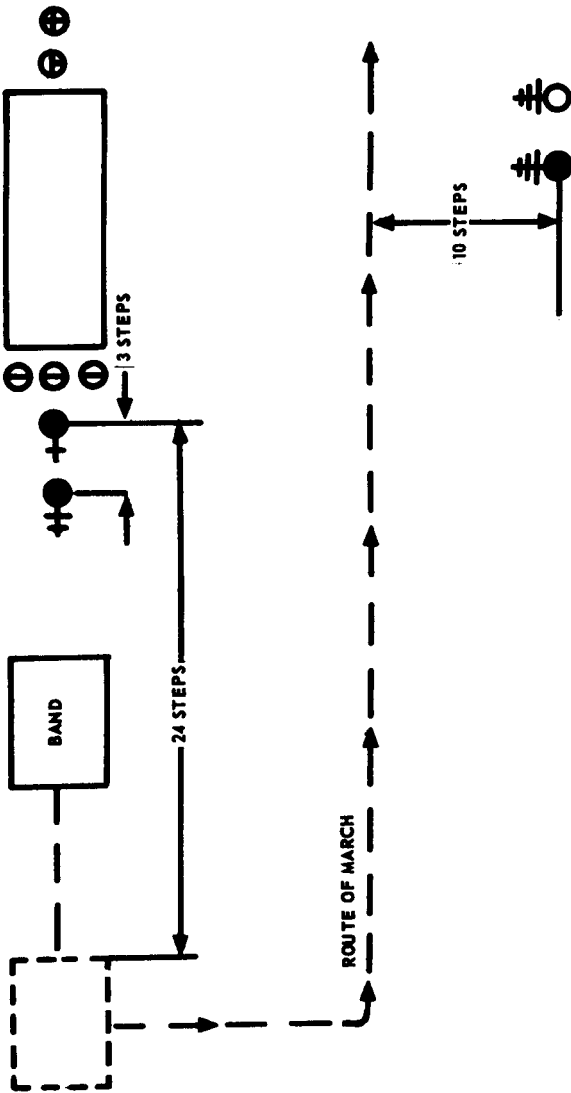


Figure 13. March in review, one platoon.

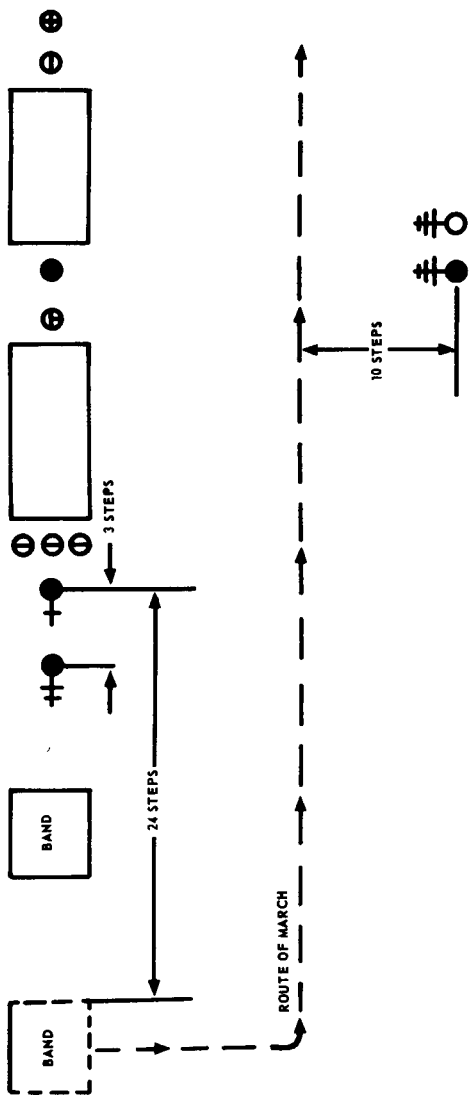


Figure 14. March in review, two platoons.

and commander of the guard salute with the first platoon; the assistant commander of the guard and the sergeant major salute with the second platoon.

e. When the guard is marching in review, the officers of the day stand at attention.

(1) The new officer of the day returns the salutes of the adjutant and the commander of the guard. He salutes only once because of the adjutant and the commander of the guard salute together.

(2) When there are two platoons, he does not return the salute of the assistant commander of the guard.

f. After the band passes the officer of the day, it turns out of column to the left and places itself in front of and facing the officer of the day, 18 steps from where the left flank of the guard passes. It continues to play until the guard leaves the parade ground.

g. The adjutant steps out of column and halts when he is 25 steps beyond the officer of the day. The sergeant major steps out of column and halts abreast of the adjutant and three steps to the left. The adjutant and the sergeant major then face each other, salute, and leave.

h. The commander of the guard marches the guard to the guardhouse without changing his position in the formation.

i. If the guard consists of two platoons, the commander of the guard halts it and forms it into one platoon. The assistant commander of the guard marches three steps to the rear centered on the guard. The assistant sergeant of the guard marches

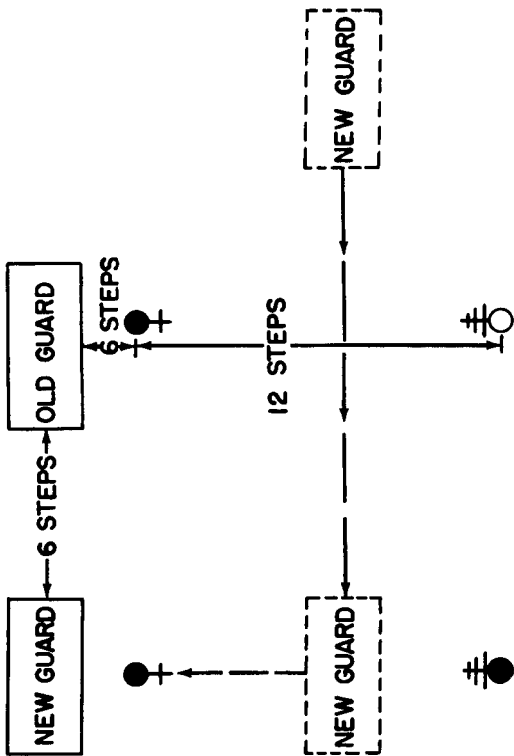
at normal interval to the left of the assistant commander of the guard.

j. The officers of the day face each other and salute. The old officer of the day gives his orders to the new officer of the day.

66. Formation of the New and Old Guard at the Guardhouse

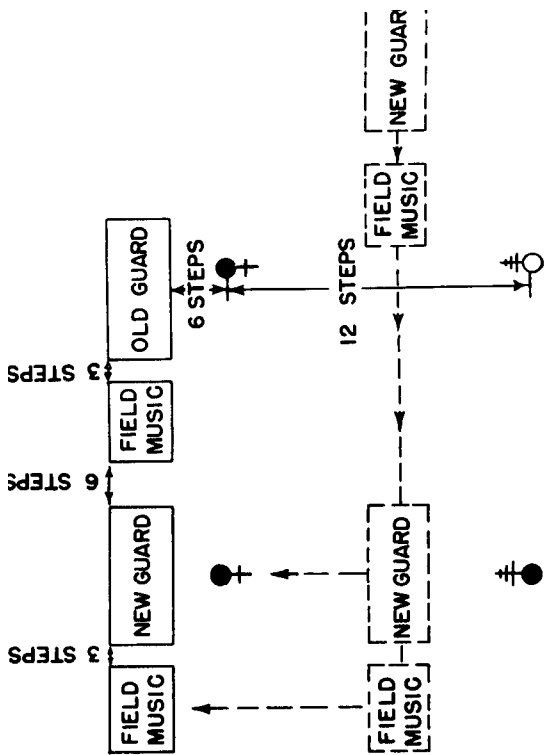
a. The old guard is formed at the guardhouse as prescribed in paragraph 45 (1, fig 15). (If field music has been authorized, the band forms three steps to the right of the old guard. The band of the new guard forms three steps to the right of the new guard (2, fig 15).)

b. Relieving the old guard at the guardhouse is in accordance with paragraphs 44 through 48.



FOR SYMBOLS, SEE FIGURE 19

Figure 15. Formation of guards.



FOR SYMBOLS, SEE FIGURE 19

Fig 15—Continued.